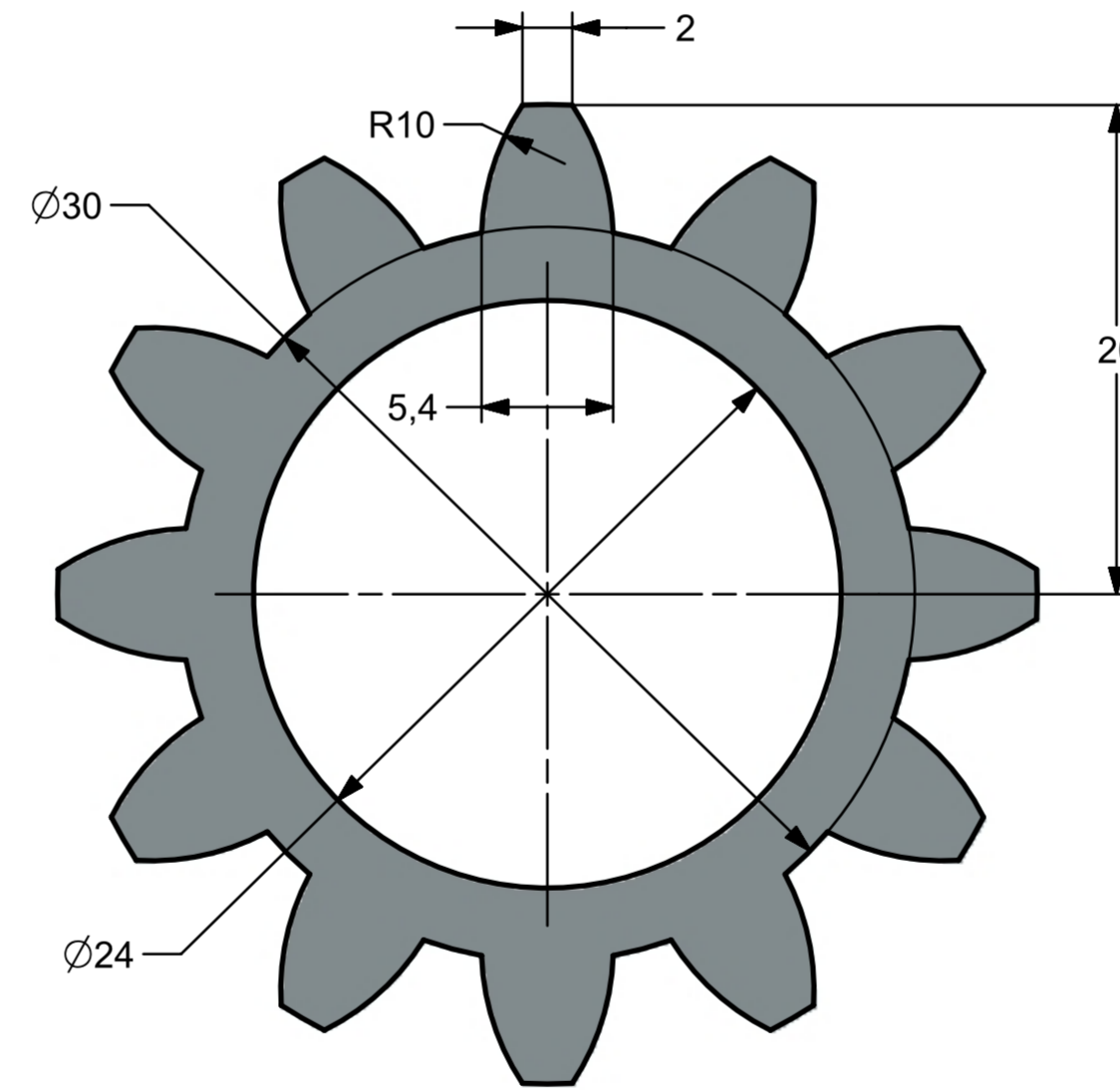
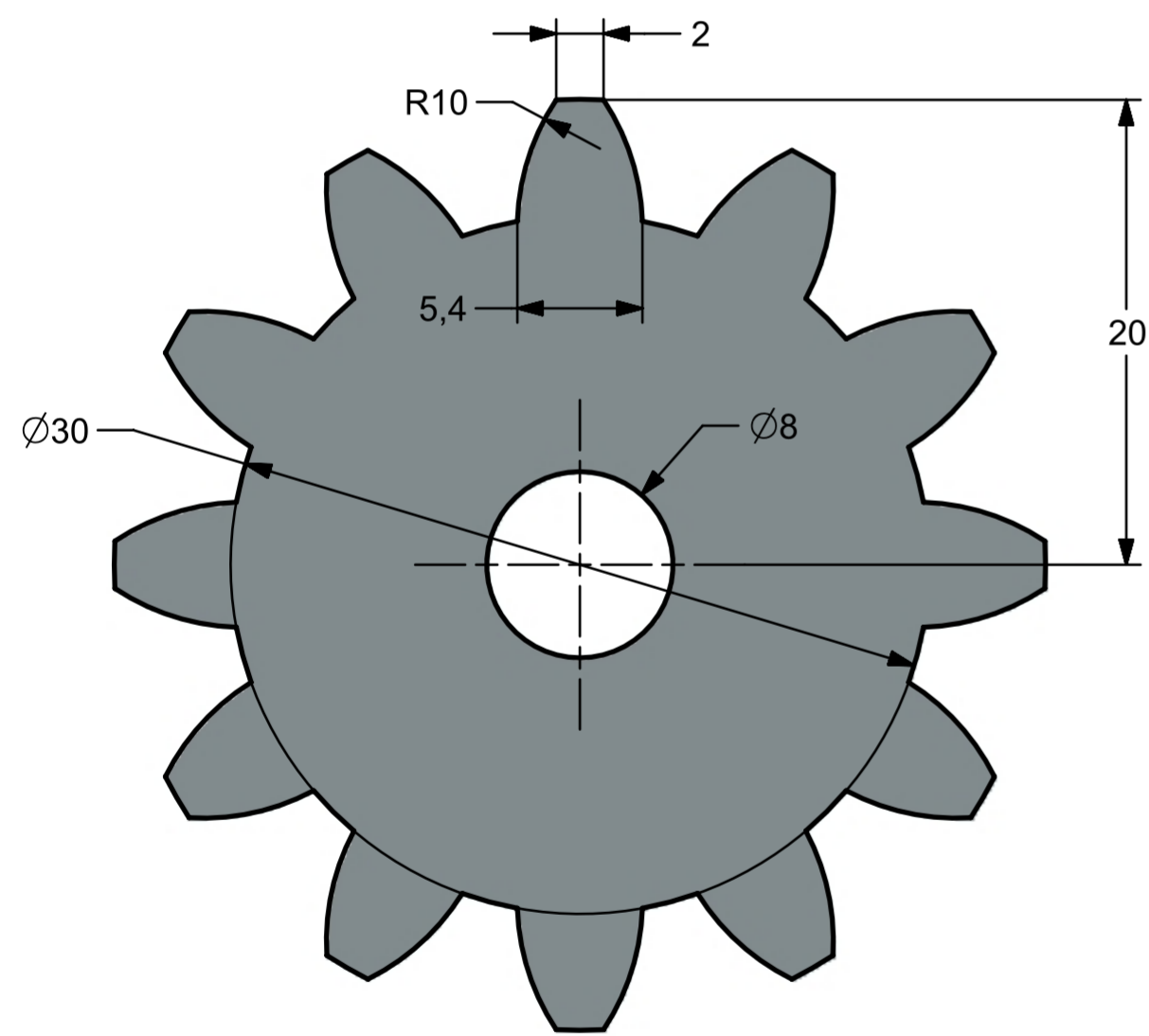
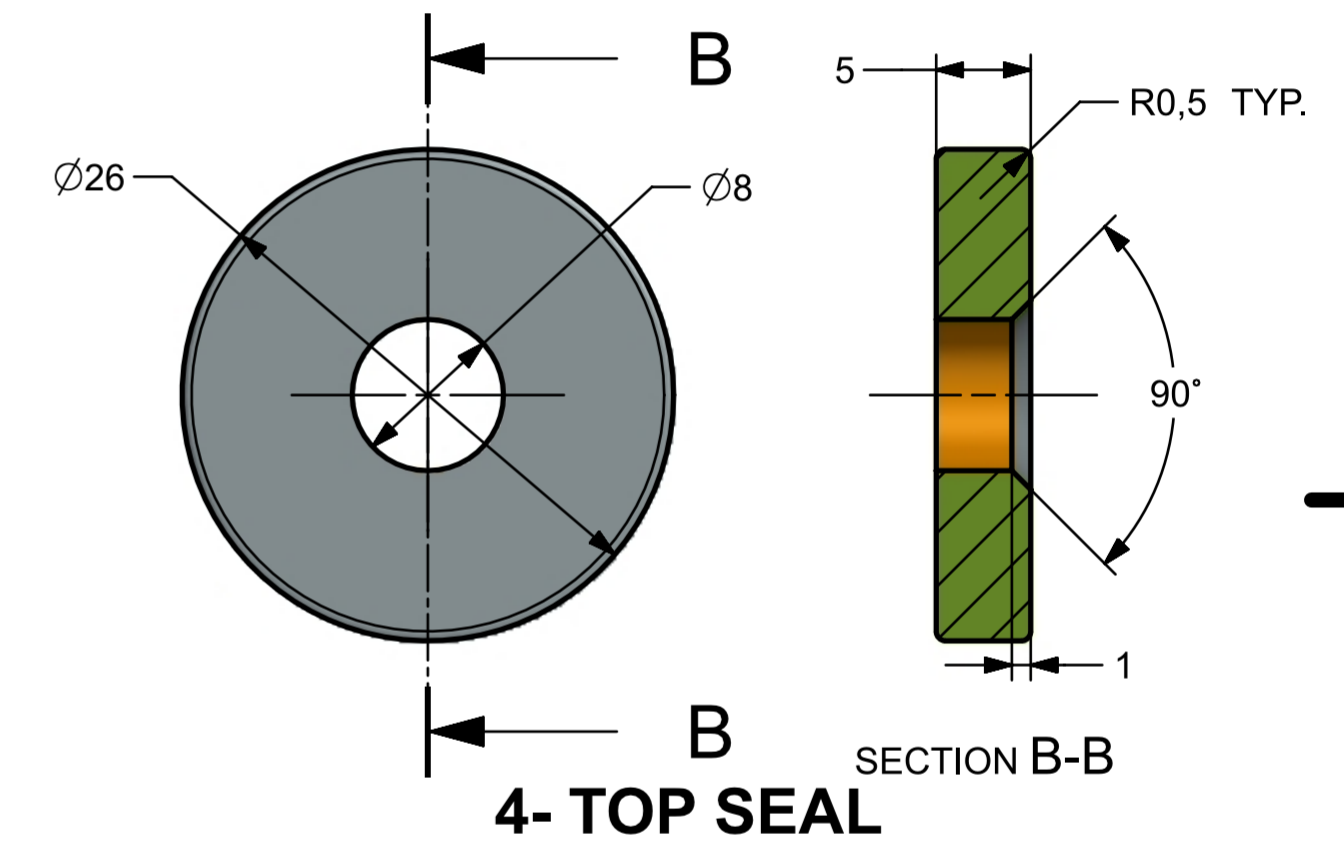
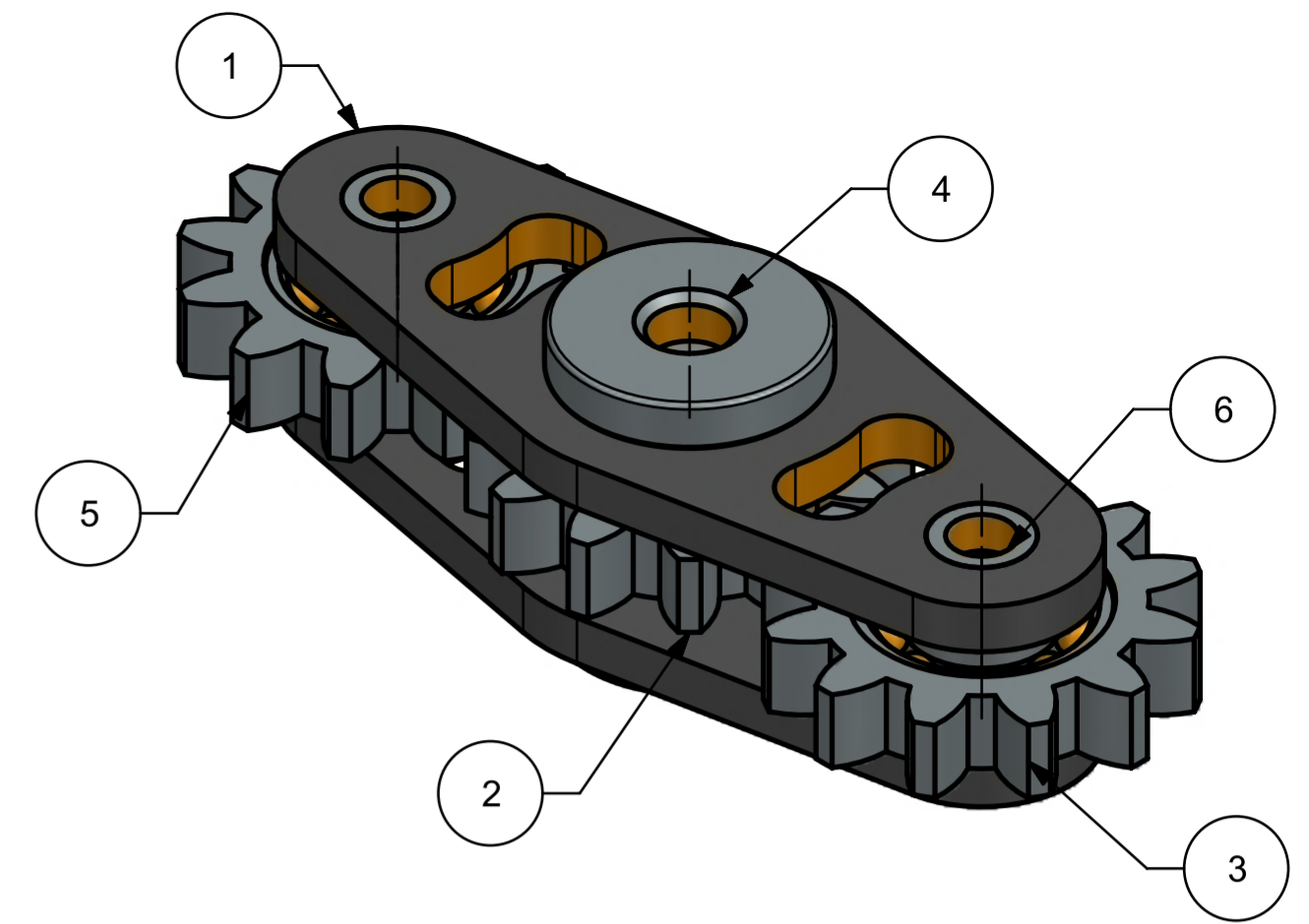
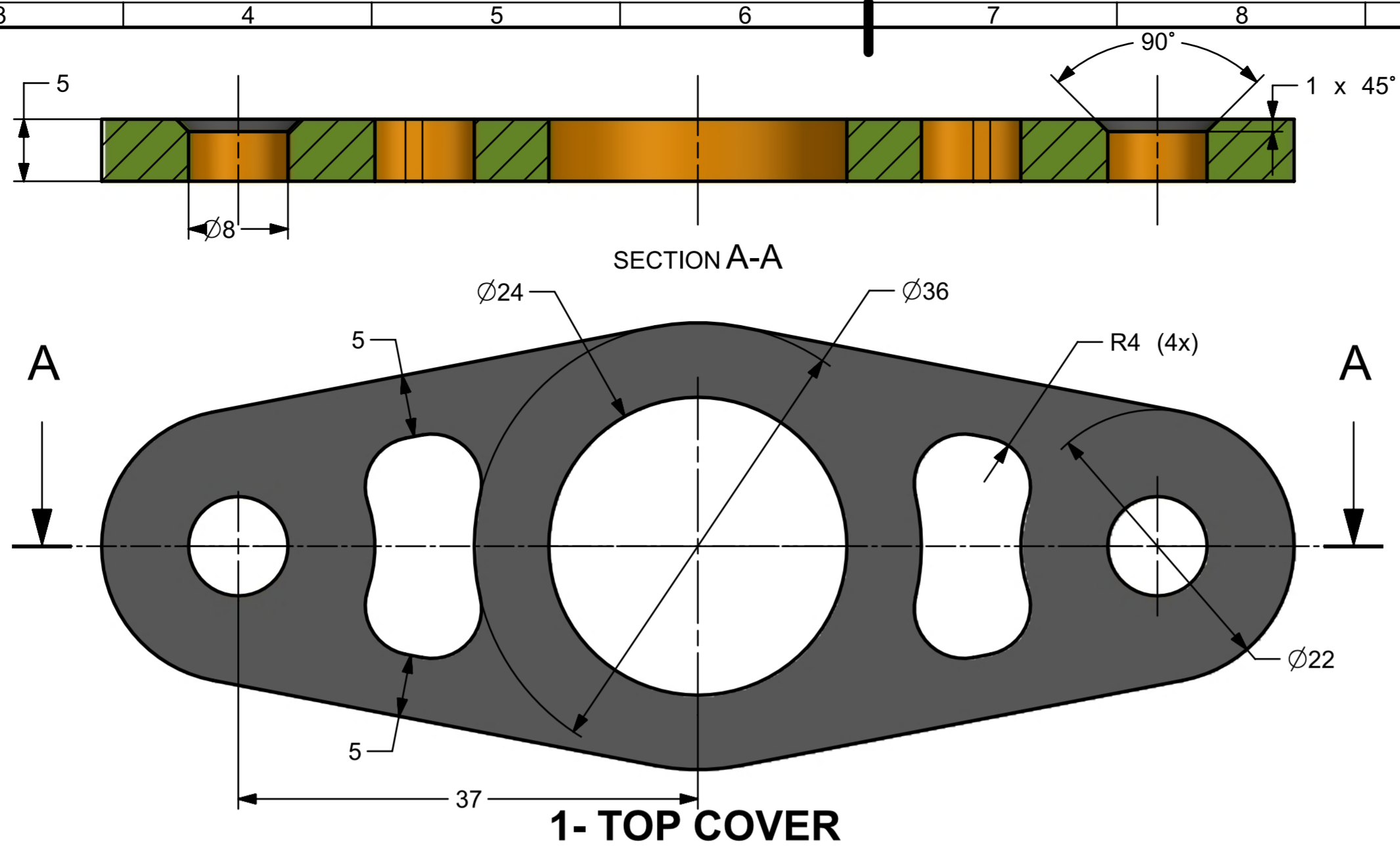


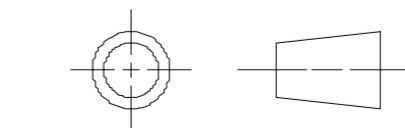
1	1-TOP COVER	2
2	2-GEAR 2	1
3	3-GEAR	2
4	4-TOP SEAL	2
5	6-SKF_BEARING_60 9_2_STP	2
6	5-DIN7341	2
PC NO	PART NAME	QTY



Para cursos y tutoriales:



WWW.CLICKENGHUB.COM



ALL DIMENSIONS IN mm



Piezas:

Ensamble:

Gear Spinner

SIZE

DRG NO.

SHEET REV

A2

Gear Spinner

A

SCALE 1:1

SHEET 1 OF 1